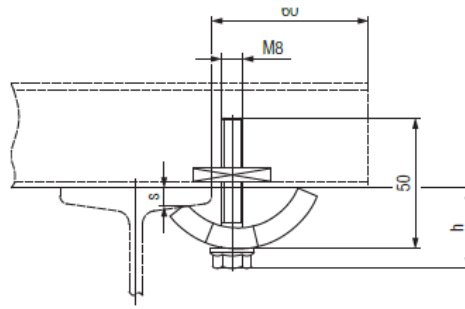


Girder Clips, Clamping Thickness 4 - 20 mm

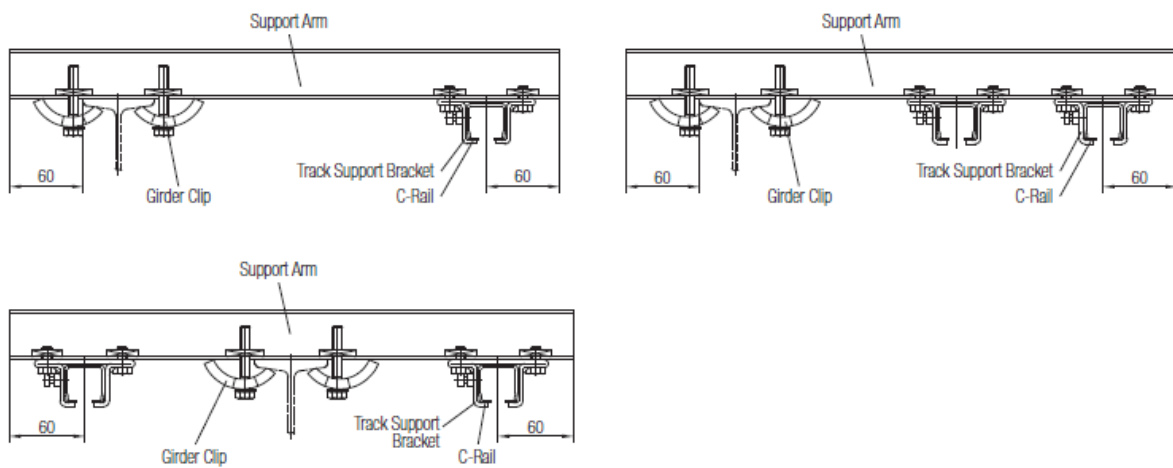


Order No.	Material	Weight [kg]
020180-08*	galvanized steel	0.15
020480-08	stainless steel V4A	0.15

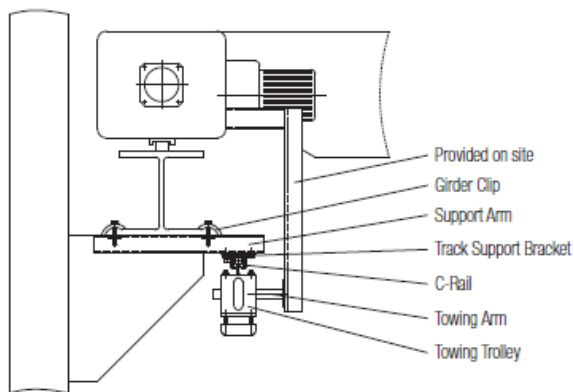
*Standard range

Clamping Thickness	s	4	6	8	10	12	16	20
Mounting Height	h	31	32	33	34	35	37	40

Application Examples for Support Arm and C-Rail Fastening with Support Arms – unpunched



Application Examples for Support Arm and C-Rail Fastening with Support Arms – punched



Application Example for Support Arm and C-Rail Fastening with Welded Brackets

